

# OWNER'S MANUAL

**POWER ACOUSTIK®**

**EDGE**

**EG2 -1400**

**EG4 -1000**

**EG4 -1500**

**EG1 -2500D**

**EG1 -4500D**

**EG1 -7000D**

**EG1 -10000D**

**EG5 -2800**

# Table of Contents

---

<b>Installation</b>	
Installation Notes, Installation of Amplifier, Electrical Connections	2
<b>2-Channel Amplifiers EG2-1400</b>	
Functions & Controls	3
Speaker- & RCA Connections	4-5
<b>4-Channel Amplifiers EG4-1000/1500</b>	
Functions & Controls	6
Speaker- & RCA Connections	7-8
<b>1-Channel Mono Bass Amplifier EG1-2500D/4500D</b>	
Functions & Controls	9
Speaker- & RCA Connections	10-11
<b>1-Channel Mono Bass Amplifier EG1-7000D</b>	
Functions & Controls	12
Speaker- & RCA Connections	13-14
<b>1-Channel Mono Bass Amplifier EG1-10000D</b>	
Functions & Controls	15
Speaker- & RCA Connections	16-17
<b>5-Channel Amplifiers EG5-2800</b>	
Functions & Controls	18
Speaker- & RCA Connections	19-20
<b>Trouble Shooting</b>	21
<b>Specifications</b>	22

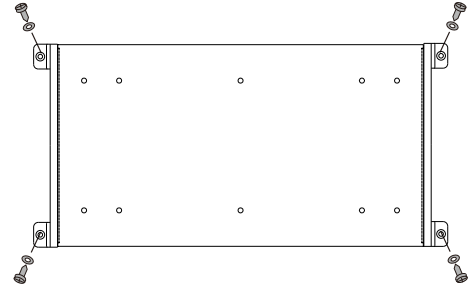
# Installation

## Installation Notes

The amplifier is generally mounted in the rear trunk area but can be mounted in any convenient area such as beneath a seat. Please be sure to locate this unit where you have reasonable air circulation and protection from moisture. When considering the mounting location you should minimize the length of the power and speaker leads. Minimizing both leads will yield a more reliable installation. It is also important to ensure that the heat sink fins are not against a panel or a surface, preventing air circulation. Do not install the amplifier on a subwoofer box or on vibrating parts of the vehicle, since the vibrations can cause damage to the amplifiers electrical components.

## Installation of the amplifier

Before starting with the installation, mount the provided mounting brackets on the amplifier. Mark the location for the mounting screw holes by using the amplifier as a template. Drill holes at the marked locations as and firmly fasten the amplifier in place with the mounting screws supplied in the accessory kit. Before drilling or cutting any holes, investigate the layout of your automobile thoroughly: Take care when working near the gas lines or hydraulic lines and electrical wiring.



## Electrical Connection

### Ground (GND)

This wire is the electrical ground and must be fastened securely to the vehicle chassis. The best method is to use a threading sheet metal screw since the threads cut into bare metal. Ensure that all paint or other insulation is removed from around the hole area, and using self tapping screw, securely affix the bare wire ends to the vehicle chassis. Use as short a piece of cable as possible - use the same gauge as was used for the +12V cable. Make sure that the connection is safe and stable.

### Remote (REM)

Connect the remote wire of your headunit with the remote turn-on of the power amplifier.

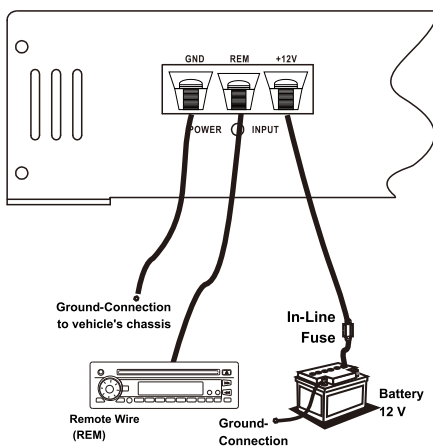
### Battery Connection (+12V Power)

This wire is usually connected directly to the positive battery terminal. Ensure that the + power supply wire is fused via an in-line fuse near by the battery. Please use a sufficient gauge (min 16 mm) with spade lug with insulating sleeve.

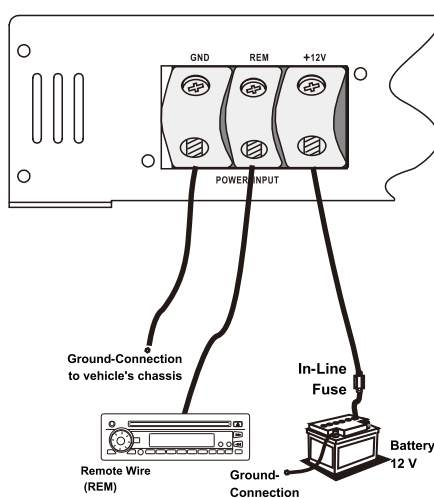
### Fuses

The integrated amplifier fuses protect the units from short circuit and overload. The fuse rating is for 4 Ohm loads (impedance) of the speakers, for 2/1 Ohm loads the fuses may have to get increased by up to 50%/100% in case of higher power consumption.

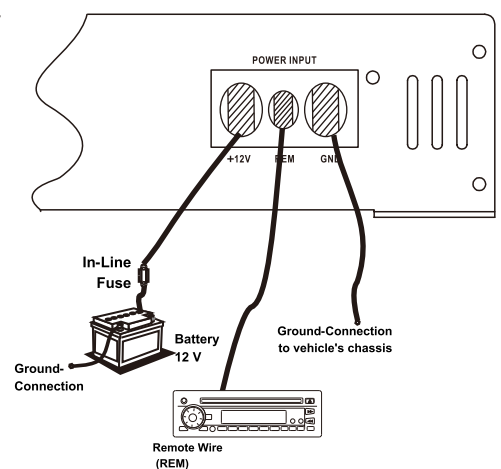
EG2-1400/EG4-1000/EG4-1500



EG1-1000D



EG1-2500D/4500D/7000D/EG5-2800



# Functions & Controls

## EG2-1400

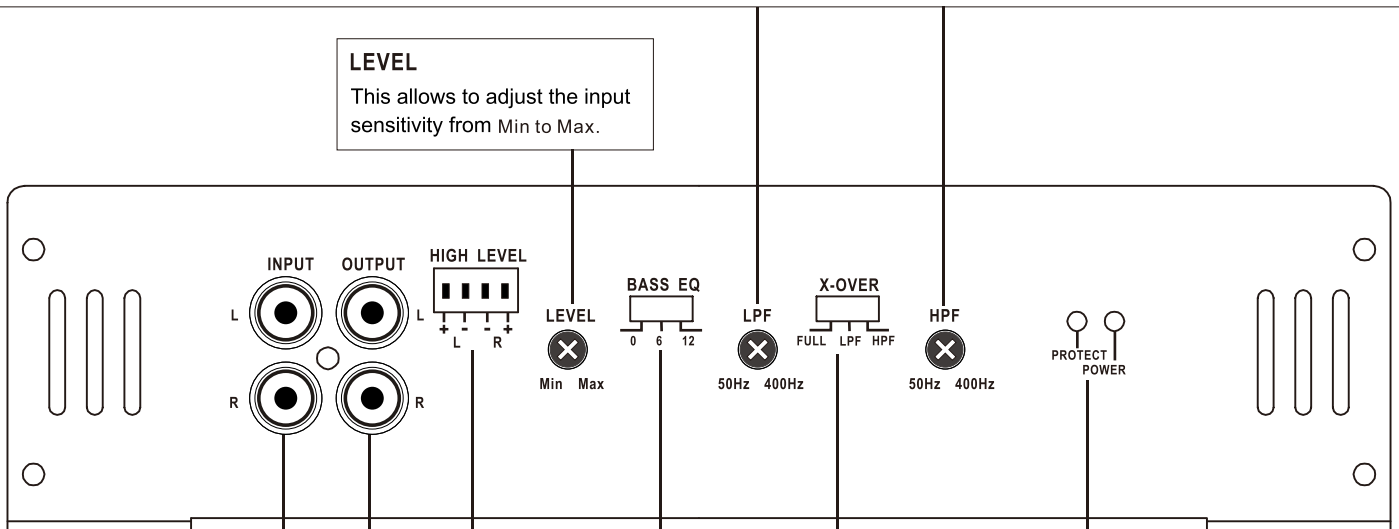
### HP PASS (HighPass)

Controls the frequency response of your speakers downwards. The Cut-off frequency is continuously variable from 50Hz up to 400Hz.

### LOW PASS (LowPass)

Controls the frequency response of your speakers upwards. The Cut-off frequency is continuously variable from 50Hz up to 400Hz.

If the X-OVER - Switch is set on LP -position, so the HP PASS-controller is activated as Subsonic-Filter, who eliminates the lowest frequencies to protect the speakers from damages.



### LEVEL

This allows to adjust the input sensitivity from Min to Max.

### Line Out - RCA Outputs

RCA Outputs to send the line signal to additional amplifiers.

### Input - RCA Inputs

Full range line input to connect with the head unit RCA Outputs.

### High Input

If your radio/CD player does not have unbalanced (RCA) outputs, you can use the HIGH level (wire) inputs.

### Bass EQ

Switch the Bass EQ from 0dB up to +6dB, 12dB

### Protect - LED

If the red LED is illuminated:

- Overheated
- Speaker wires shorted
- Overload (Impedance, less Power Supply)
- Amplifier is damaged

The built-in electronic diagnostic protection saves the amplifier and speakers from serious damage. If the red LED lights up due to overheating, let the amplifier cooled down a while a turn it on again.

If the red light is still lighting up, ensure that all connections, especially the speakers are correct and not shorted.

If the amp is still in protection mode, try to restart the amplifier without any speaker or RCA wires.

If the green light is now lighting up, re-check again all speaker- and RCA-connections, to ensure correct connection.

### X-Over

Selects the operation modes of the amplifier which is required:

#### Position HPF:

Highpass/Subsonic (frequency response is limited downwards. It is controlled by the HP PASS-controller)

#### Position FULL:

Provides a full range signal to the speakers (whole frequency response).

#### Position LPF:

Lowpass (frequency response is limited upward. It is controlled by the LOW PASS-controller)

# Speaker & RCA Connections

## EG2-1400

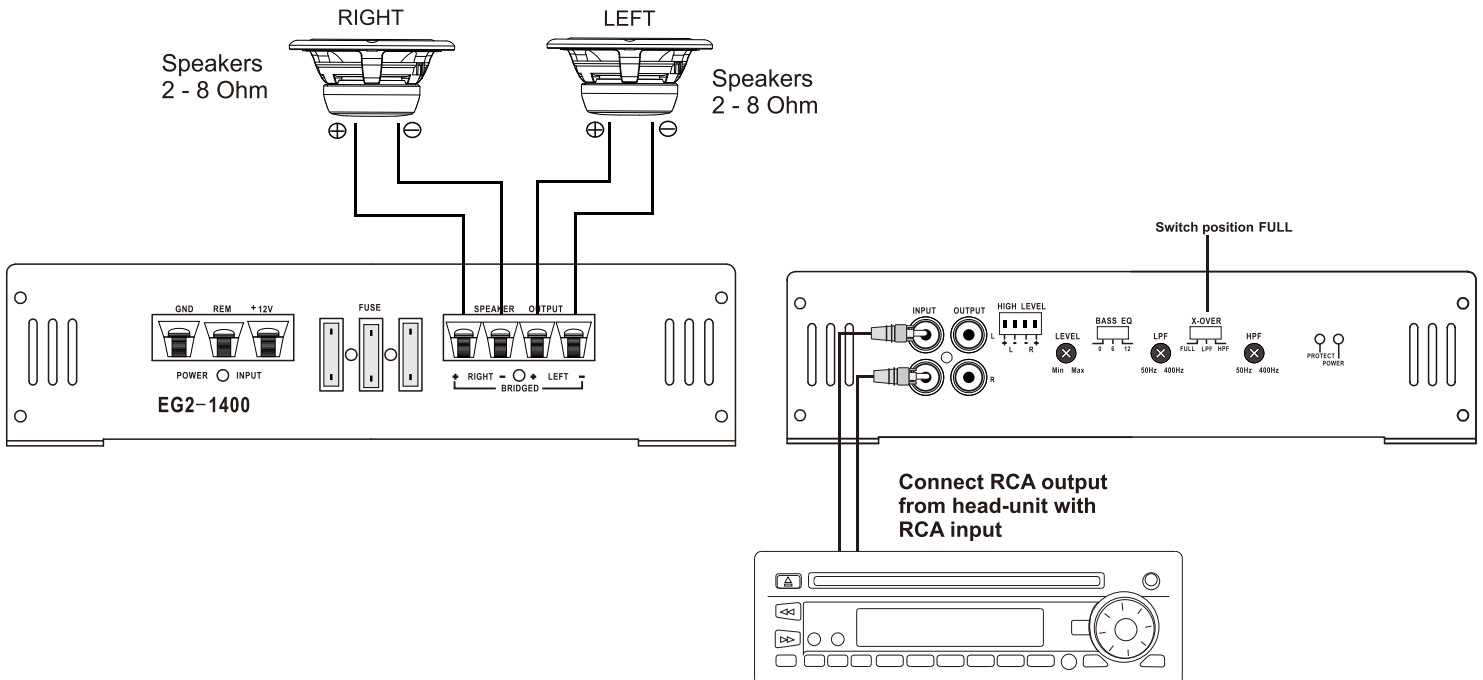
### INTERCONNECTION EXAMPLE 2-Channel Mode: 1x Stereo System (Front or rear)

#### RCA & Speaker wiring:

- Connect the RCA lineouts of the headunit with the RCA jacks LINE INPUT of the amplifier with appropriate high-value RCA cables.
- Connect the front or rear speakers with the speaker outputs ( LEFT -/+ and RIGHT -/+ SPEAKER ) by using appropriate wires.
- Ensure by any means, that the total impedance load of all speakers is not lower than 2 ohms. Too low impedance cause high temperature and will shut down the amplifier operation.
- Always ensure the correct polarity of the speakers. The interchange of plus and minus cause total loss of bass playback and could damage the speakers.

#### Caution!

Do not connect speaker (-) to the ground or vehicle's chassis.



#### CROSSOVER SETTINGS

- By using bigger speakers (more than 20cm) you can set the X-OVER switch to the FULL position (Full Range Signal).
- By using smaller speakers (8.7cm - 16cm) you must set the X-OVER switch to the HPF Position (Highpass Mode) to avoid any damage by lower frequencies on the speakers. The cut-off frequency is adjustable with the HIGH PASS controller and should be set between 40Hz to 500Hz, depending on the size of the speakers.
- The LOW PASS Controller is not in use in this interconnecting example.

#### LEVEL CONTROLLER

- Turn the LEVEL controller of the amplifier to the 6V position.
- Turn the volume controller of the headunit to 80 - 90% of its full setting.
- Turn the LEVEL controller clockwise until you hear some distortion.
- Then turn back the LEVEL controller slightly until you hear a cleaner sound.

#### BASS BOOST CONTROLLER

- The BASS BOOST controller must be turned to 0 dB position in this interconnecting example .

# Speaker & RCA Connections

## EG2-1400

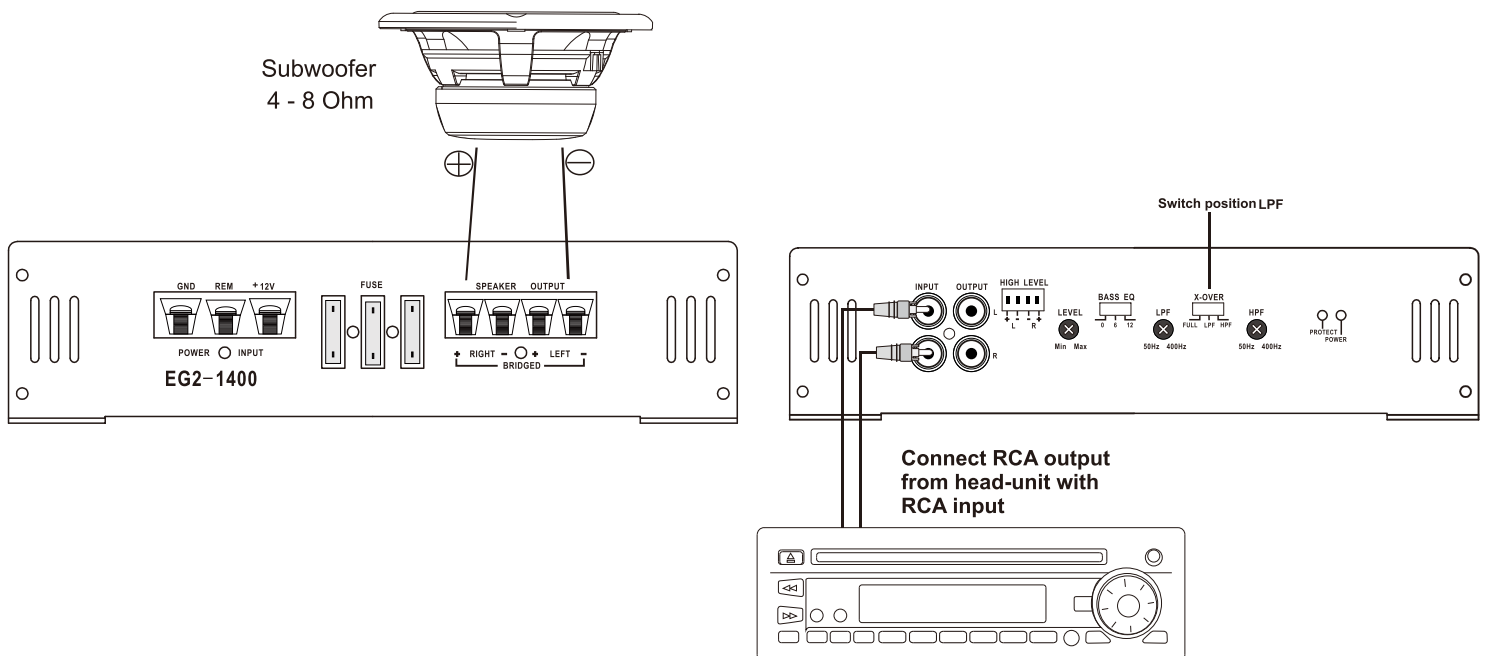
### INTERCONNECTION EXAMPLE 2-Channel Mode: 1x Mono Subwoofer bridged

#### RCA & Speaker wiring:

- Connect the RCA lineouts of the headunit with the RCA jacks LINE INPUT of the amplifier with appropriate high-value RCA cables. If your headunit is equipped with a additional subwoofer lineout (SUB OUT), it is recommended to use this lineout.
- Connect the subwoofer with the speaker outputs (SPEAKER OUTPUT LEFT&RIGHT + Mono bridged - ) by using appropriate wires.
- Ensure by any means, that the total impedance load of the channel-pair is not lower than 4 ohms. Too low impedance cause high temperature and will shut down the amplifier operation.
- Always ensure the correct polarity of the speakers. The interchange of plus and minus cause total loss of bass playback and could damage the speakers.

#### Caution!

Do not connect speaker (-) to the ground or vehicle's chassis.



#### CROSSOVER SETTINGS

- In the mono/subwoofer mode the X-OVER switch must set to the LPF/BPF position (Lowpass/Bandpass mode), thereby the higher frequencies will be eliminated. The cut-off frequency is adjustable with the LOW PASS controller and should be set between 40Hz to 500Hz, depending on the size of the subwoofer.

#### LEVEL CONTROLLER

- Turn the LEVEL controller of the amplifier to the 6V position.
- Turn the volume controller of the headunit to 80 - 90% of its full setting.
- Turn the LEVEL controller clockwise until you hear some distortion.
- Then turn back the LEVEL controller slightly until you hear a cleaner sound.

#### BASS BOOST CONTROLLER

- The BASS BOOST controller adjusts the bass enhancement between 0db and + 12dB.
- A too high bass boost may cause clipping/distortion and damage on the loudspeakers and also may harm your hearing abilities.  
**Use this controller carefully!**

# Functions & Controls

## EG4-1000/1500

### HP/LOW PASS CH1/2&CH3/4

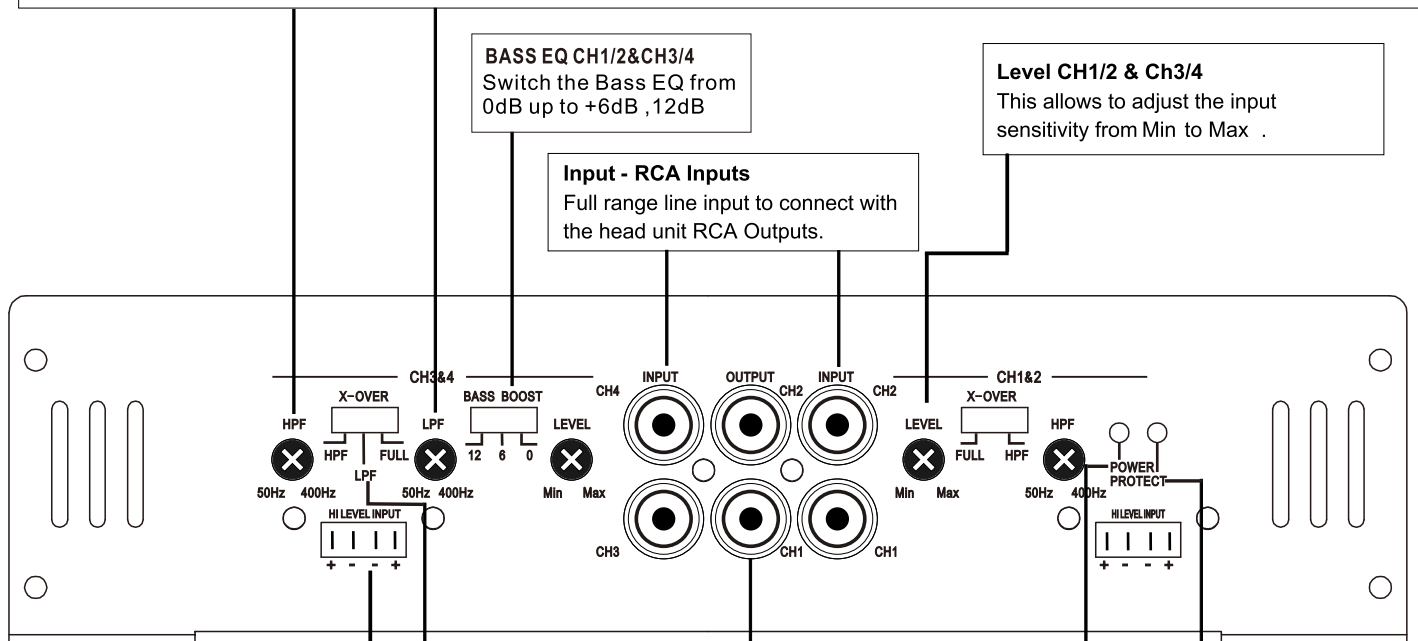
#### HP PASS (HighPass)

Controls the frequency response of your speakers downwards. The Cut-off frequency is continuously variable from 50Hz up to 400Hz

#### LOW PASS (LowPass)

Controls the frequency response of your speakers upwards. The Cut-off frequency is continuously variable from 50Hz up to 400Hz

If the X-OVER - Switch is set on LP -position, so the HP PASS-controller is activated as Subsonic-Filter, who eliminates the lowest frequencies to protect the speakers from damages.



**BASS EQ CH1/2&CH3/4**  
Switch the Bass EQ from 0dB up to +6dB ,12dB

**Level CH1/2 & Ch3/4**  
This allows to adjust the input sensitivity from Min to Max .

**Input - RCA Inputs**  
Full range line input to connect with the head unit RCA Outputs.

**High Input**  
If your radio/CD player does not have unbalanced (RCA) outputs, you can use the HIGH level (wire) inputs.

**Line Out - RCA Outputs**  
RCA Outputs to send the line signal to additional amplifiers.

**Power - LED**  
If the green LED is illuminated, the amp is in operation mode.

**X-Over CH1/2 & CH3/4**  
Selects the operation modes of the amplifier which is required:

**Position HPF :**  
Highpass/Subsonic (frequency response is limited downwards. It is controlled by the HP PASS-controller)

**Position FULL:**  
Provides a full range signal to the speakers (whole frequency response).

**Position LPF :**  
Lowpass (frequency response is limited upward. It is controlled by the LOW PASS-controller)

**Protect - LED**

If the red LED is illuminated:

- Overheated
- Speaker wires shorted
- Overload (Impedance, less Power Supply)
- Amplifier is damaged

The built-in electronic diagnostic protection saves the amplifier and speakers from serious damage. If the red LED lights up due to overheating, let the amplifier cooled down a while a turn it on again.

If the red light is still lighting up, ensure that all connections, especially the speakers are correct and not shorted.

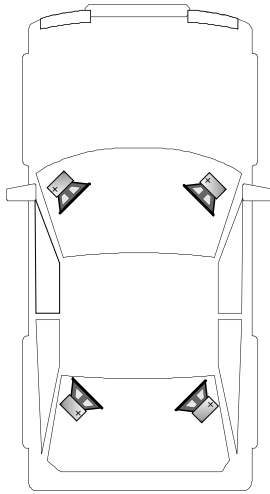
If the amp is still in protection mode, try to restart the amplifier without any speaker or RCA wires.

If the green light is now lighting up, re-check again all speaker- and RCA-connections, to ensure correct connection.

# Speaker & RCA Connections

## EG4-1000/1500

### 4-Channel-Mode: 2 Frontspeakers / Stereo & 2 Rearspeakers /Stereo



#### Cable connection

- Connect INPUT of the amplifier to the head unit line output with good quality RCA cables. By connecting the RCA jacks OUTPUT with a additional amplifier, a full range signal will be provided to the amplifier.
- Connect the speakers with the terminal block (CH1 +/- und CH2 +/- - SPEAKER) and (CH3 +/- and CH4 +/- - SPEAKER) of the amplifier.
- The minimum final speaker impedance must not be below 2 Ohm per channel. Too low speaker loads result in too high heat dissipation and may cause the amplifier run into protection.
- Please observe speaker channel and polarity as printed by the speaker terminal block. Incorrect phasing of the speakers results in total loss of bass response.

#### Caution

Please avoid to connect speaker (-) to the ground or vehicle chassis.

#### X-OVER - Switch & Control CH1/2 and CH3/4

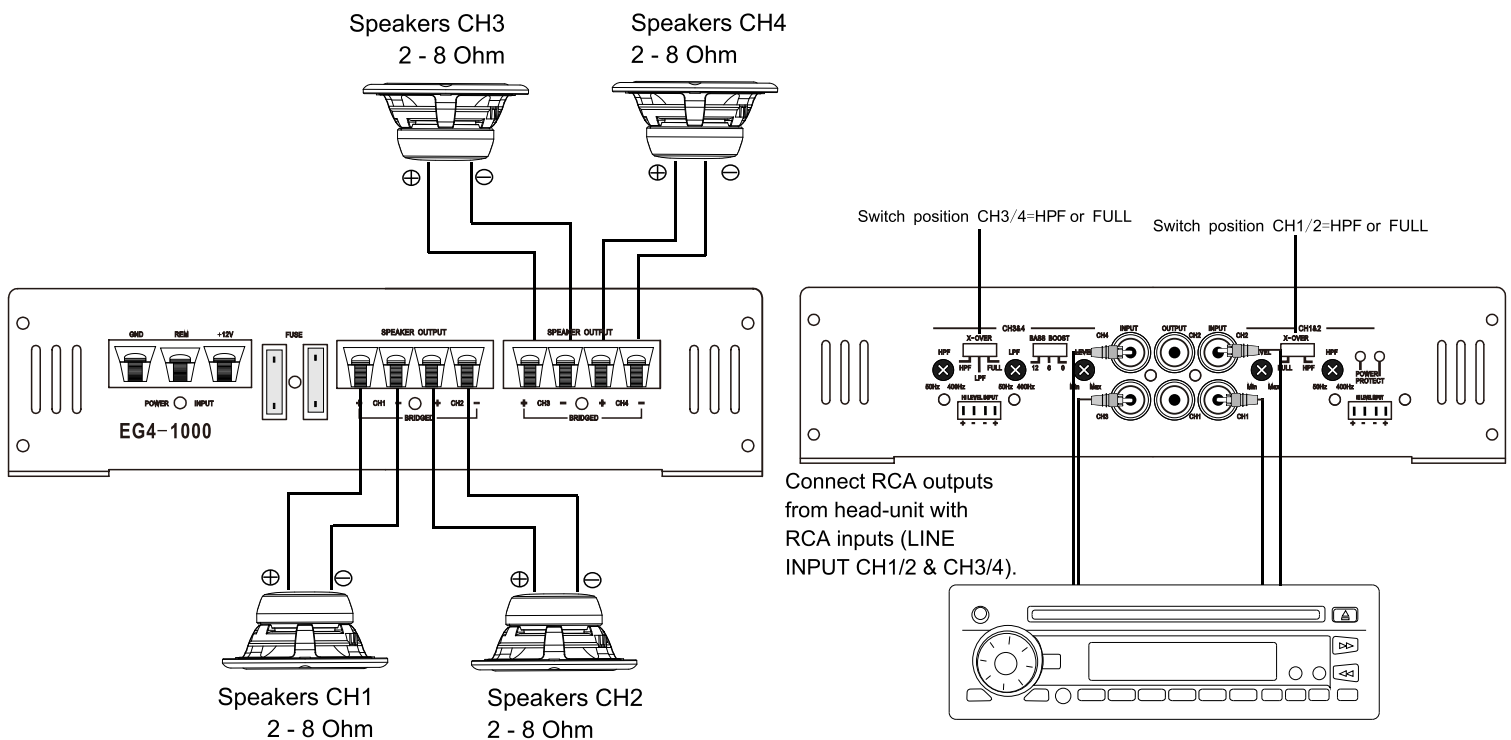
- If larger than 20 cm speakers are used, the "FULL" position is recommended.
- For all smaller speakers (8.7cm - 16cm) the "HP"-Position (HIGH PASS) is recommended, which eliminates the lowest frequencies and protects the speakers from damage. Set the crossover-frequency between 50Hz - 400Hz, depending on the size of the installed speakers. The Highpass adjustment can be done with the HIGH PASS - Control. In this configuration the LOW PASS - Control is not in use.

#### LEVEL INPUT - Control CH1/2 and CH3/4

- Turn the LEVEL INPUT - Control on the amplifier to "6V" position.
- Turn the head unit volume control to about 80-90% of its full setting.
- Turn the LEVEL INPUT - Control clockwise until you hear some distortion.
- Then turn back the LEVEL INPUT - Control slightly until you can hear clean sound.

#### BASS BOOST CH1/2 and CH3/4

- Turn the BASS BOOST - Control into "0dB" - position.

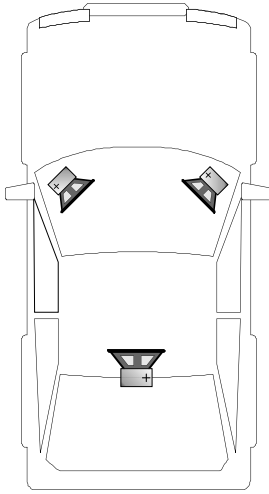




# Speaker & RCA Connections

## EG4-1000/1500

### 3-Channel-Mode: 2 Speakers/Stereo & 1 Subwoofer / Mono bridged



#### Cable connection

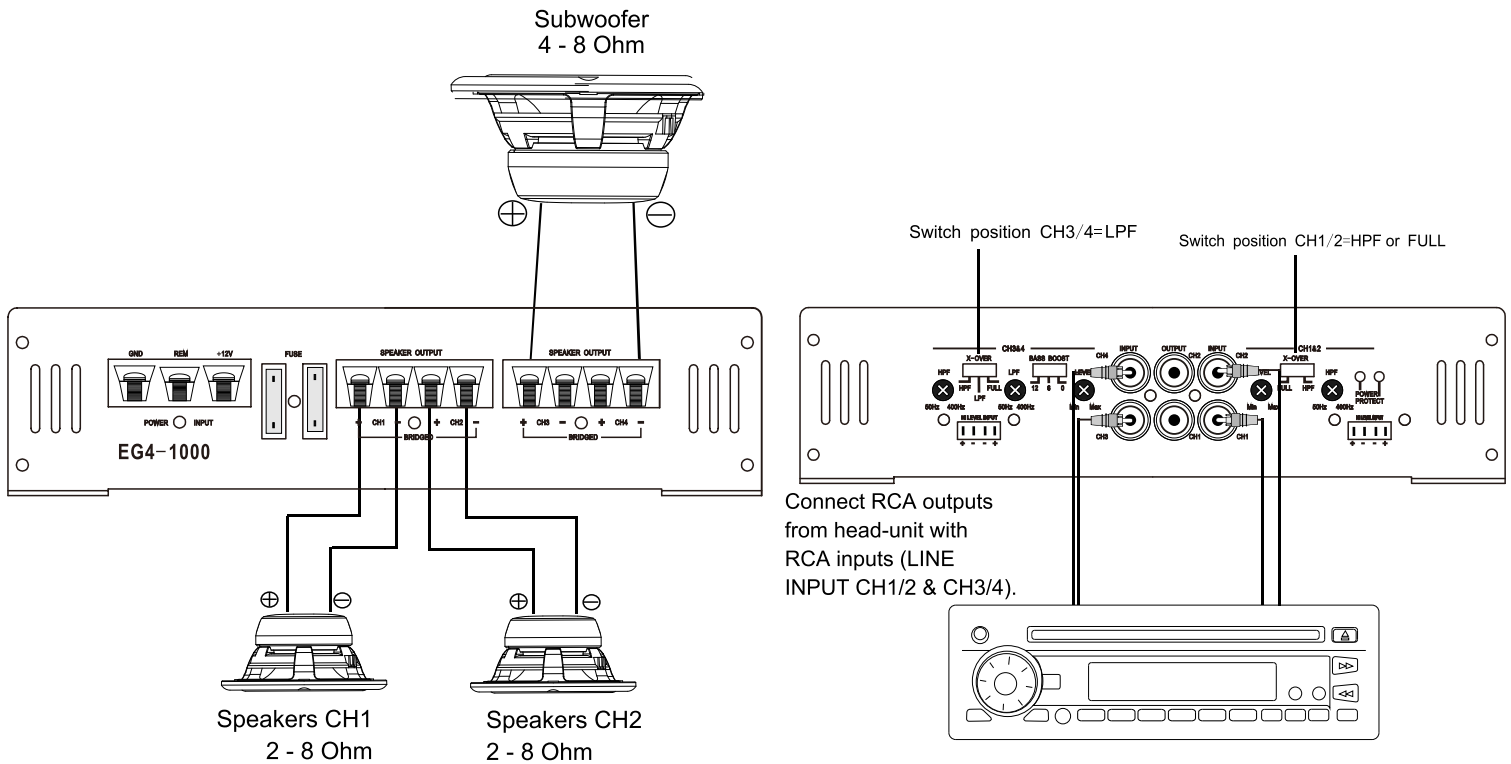
- Connect the INPUT of the amplifier to the head unit line output with good quality RCA cables. By connecting the RCA jacks OUTPUT with a additional amplifier, a full range signal will be provided to the amplifier.
- Connect the speakers with the terminal block (CH1 +/- & CH2 +/- - SPEAKER OUTPUT and the subwoofer with CH3/4 + BRIDGED - SPEAKER OUTPUT) of the amplifier.
- The minimum final speaker impedance must not be below 2 Ohm per channel and 4 Ohm (Subwoofer) per channelpair. Too low speaker loads result in too high heat dissipation and may cause the amplifier run into protection.
- Please observe speaker channel and polarity as printed by the speaker terminal block. Incorrect phasing of the speakers results in total loss of bass response.

#### Caution

Please avoid to connect speaker (-) to the ground or vehicle chassis.

#### BASS BOOST - Control (Subwoofer on CH3/4)

- The BASS BOOST - Control adjusts the bass level at 45 Hz from 0dB up to 12dB. **Caution!** Please use the Bass-Boost carefully.



# Functions & Controls

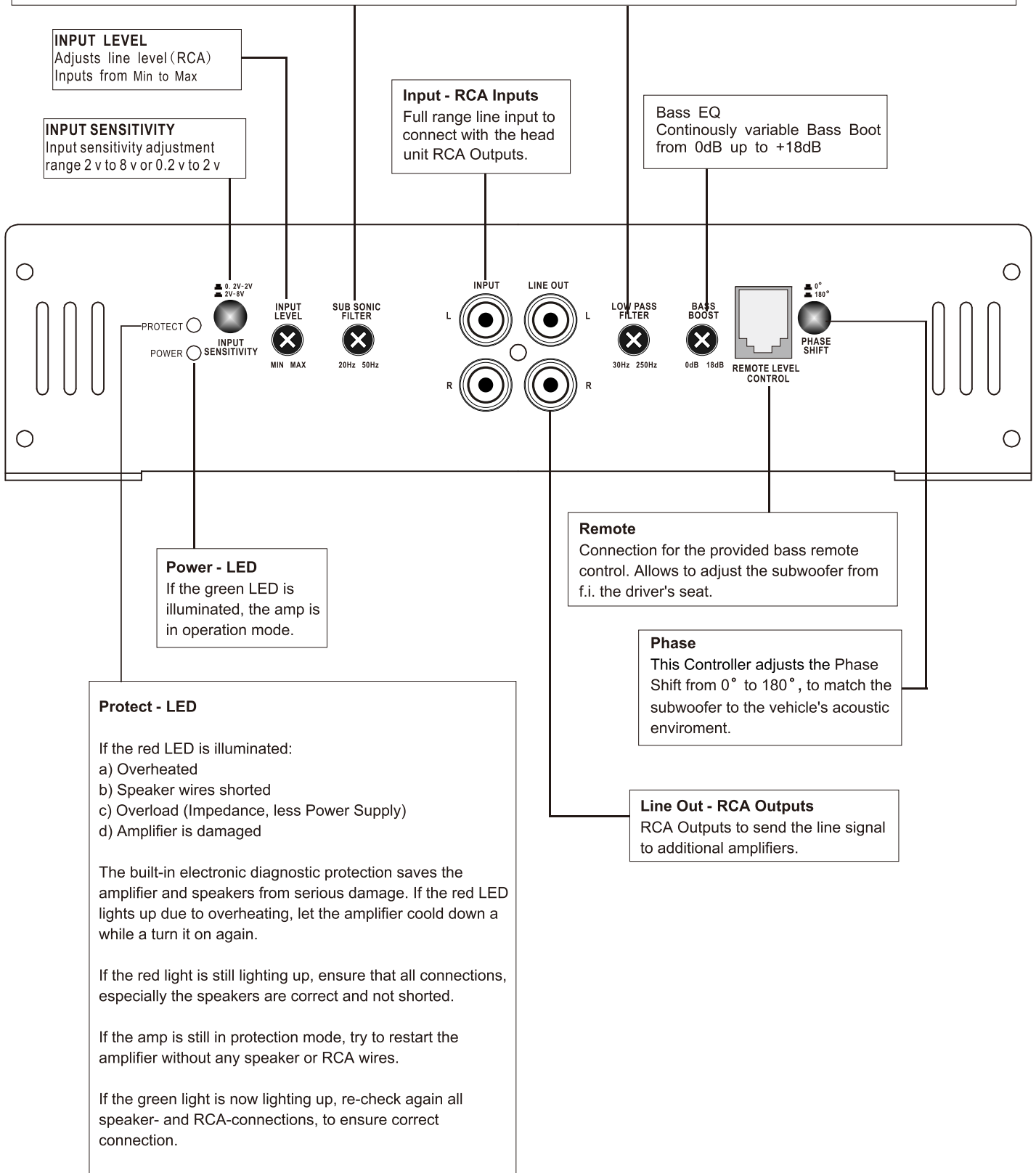
## EG1-2500D/4500D

### Low Pass

This Controller adjusts the frequency response of your subwoofer upwards and is continuously variable from 30Hz to 250Hz

### Sub Sonic

This Controller eliminates the lowest frequencies to protect the subwoofer from damages. These low frequencies can cause damages. The frequency is adjustable from 20 Hz to 50 Hz.



# Speaker & RCA Connections

## EG1-2500D/4500D

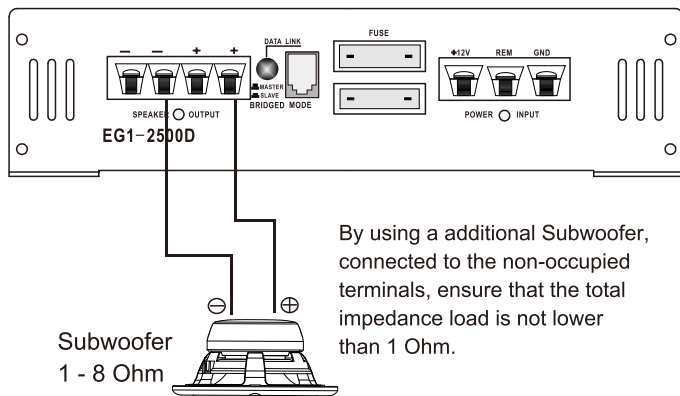
### RCA & Speaker wiring:

- Connect the LINE INPUT of the amplifier to the head unit line output with appropriate good quality RCA cables. As optional feature the Balanced Inputs can be used. But therefor an signal transmitter with specific wires is required. Ask your specialist dealer for the required equipment.
- Connect the subwoofer with appropriate wires to the terminal block (SPEAKER OUTPUT - and +) of the amplifier. As optional feature a additional Subwoofer can be connected to the non-occupied terminals.
- The minimum final subwoofer impedance must not be lower than 1 Ohms in total. Too low speaker loads result in too high heat dissipation and may cause the amplifier run into protection.
- Please observe correct speaker channels and polarity as printed by the speaker terminal

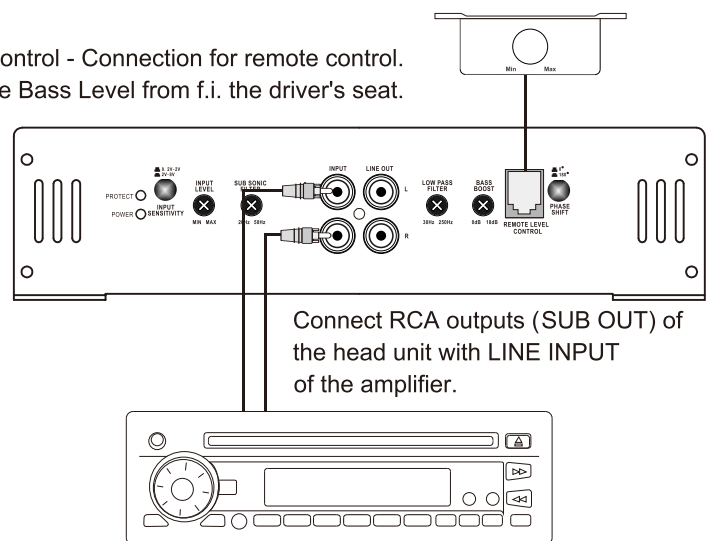
### Caution!

**Do not connect speaker (-) to the ground or vehicle's chassis.**

Bass Remote Control - Connection for remote control.  
This Controller regulates the Bass Level from f.i. the driver's seat.



By using an additional Subwoofer, connected to the non-occupied terminals, ensure that the total impedance load is not lower than 1 Ohm.



Connect RCA outputs (SUB OUT) of the head unit with LINE INPUT of the amplifier.

### Low Pass

- This eliminates the higher frequencies. Set the crossover-frequency between 30Hz-250Hz, depending on the size of the installed subwoofer.

### Sub Sonic

- This eliminates the lowest frequencies and protects the speakers from damage. Set the frequency between 20Hz-50Hz, depending on the size of the installed subwoofer.

### Phase

- This Controller allows to adjust the Phase Shift 0° to 180°, to match the subwoofer to the vehicle's acoustic environment.

### Input Level

- Turn the LEVEL control of the amplifier to 6V position.
- Turn the head unit volume control to about 80 - 90% of its full setting.
- Turn the LEVEL control clockwise until you hear some distortion.
- Then turn back the LEVEL control slightly until you can hear a clean sound.

### Bass EQ

- This Controller regulates the Bass Boost from 0 - 18 dB.

**Caution!** Please use the Bass-EQ carefully. The additional boost may result in clipping or overload.

### Bass Remote

- The provided Bass Remote regulates the Bass Level from f.i. the driver's seat.

# Speaker & RCA Connections

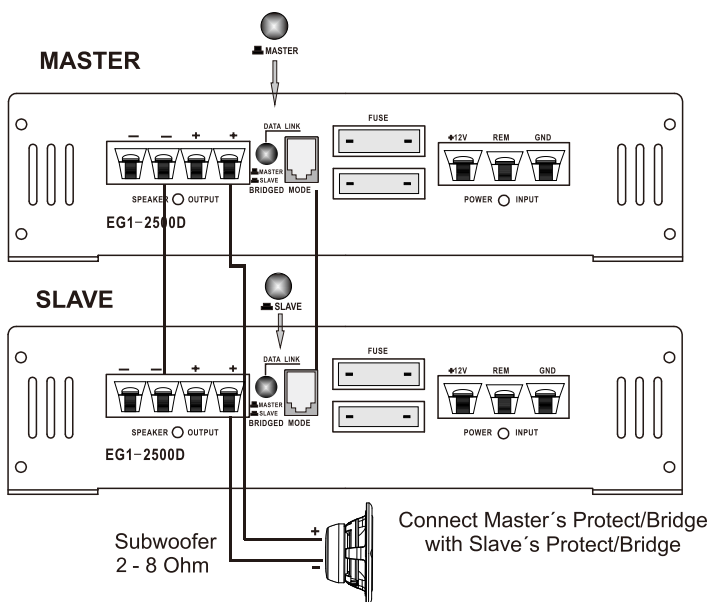
## EG1-2500D/4500D

### MASTER/SLAVE-MODE / Subwoofer-Mode with two Amplifiers

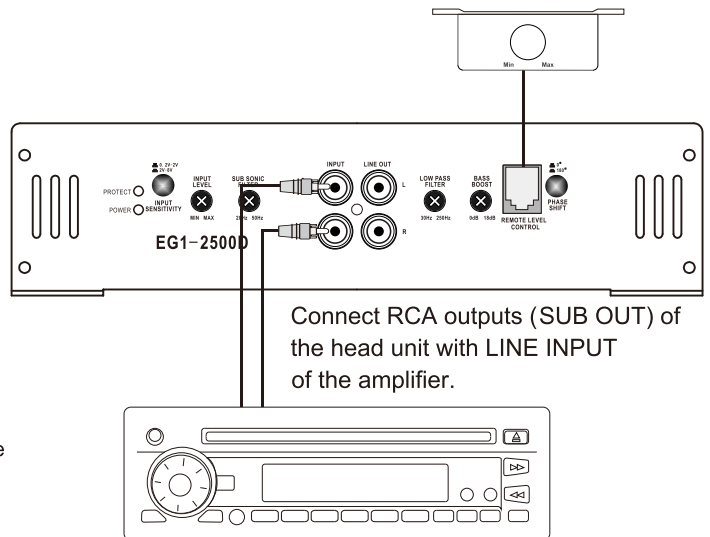
- Connect the "LINE IN" (L & R) of the MASTER-amplifier to the head unit's line output with appropriate good quality RCA cables.
- Connect the "SLAVE OUT" RCA Output of the MASTER-AMP with the "LINE IN" RCA Input of the SLAVE-AMP.
- Connect the "REMOTE"-Terminal of the MASTER-AMP with the supplied BASS REMOTE.
- Connect the "REMOTE"-Wire of your head unit with the REM-Terminals of both Amplifiers.
- Connect the subwoofer with appropriate wires to the terminal block (SPEAKER OUTPUT - and +) of both amplifiers. As optional feature an additional Subwoofer can be connected to the non-occupied terminals.
- Connect the Protect/Bridge Connection of the Master with the Protect/Bridge Connection of the Slave.  
This connection warrants if there is an operation fault both amps, Master and Slave, would go into protection mode so the amps are prevented for any possible damages.
- The minimum final subwoofer impedance must not be lower than 2 Ohms in total (1 Ohm for each Amplifier) or 2 Ohms bridged. Too low speaker loads result in too high heat dissipation and may cause the amplifier into protection.
- Please observe correct speaker channels and polarity as printed by the speaker terminal.

#### Caution!

Do not connect speaker (-) to the ground or vehicle's chassis.

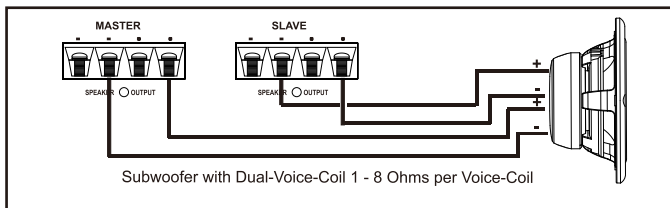


Bass Remote Control - connection for remote control.  
This controller regulates the bass level from e.g. the driver's seat.

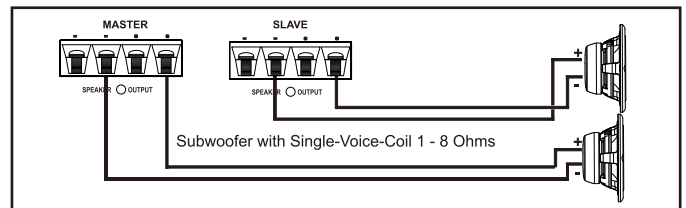


Connect RCA outputs (SUB OUT) of the head unit with LINE INPUT of the amplifier.

### Subwoofer with Dual-Voice-Coil



### 2 Subwoofers with Single-Voice-Coil



Caution: Please observe the right polarity. Slave's - to Loudspeaker's + and Slave's + to Loudspeaker's -.

# Functions & Controls

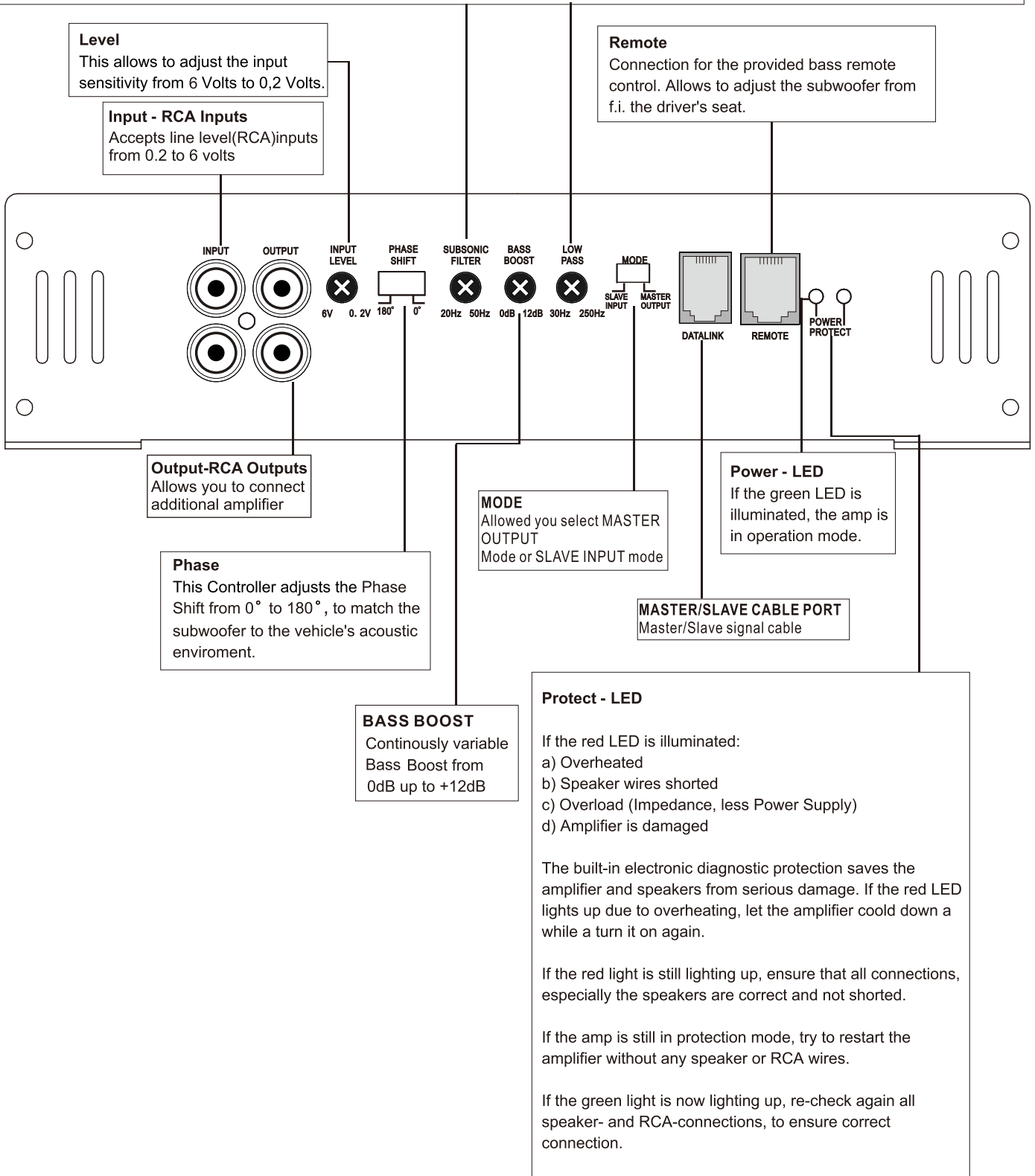
## EG1-7000D

### Low Pass

This Controller adjusts the frequency response of your subwoofer upwards and is continuously variable from 30Hz to 250Hz

### Sub Sonic

This Controller eliminates the lowest frequencies to protect the subwoofer from damages. These low frequencies can cause damages. The frequency is adjustable from 20Hz to 50Hz



# Speaker & RCA Connections

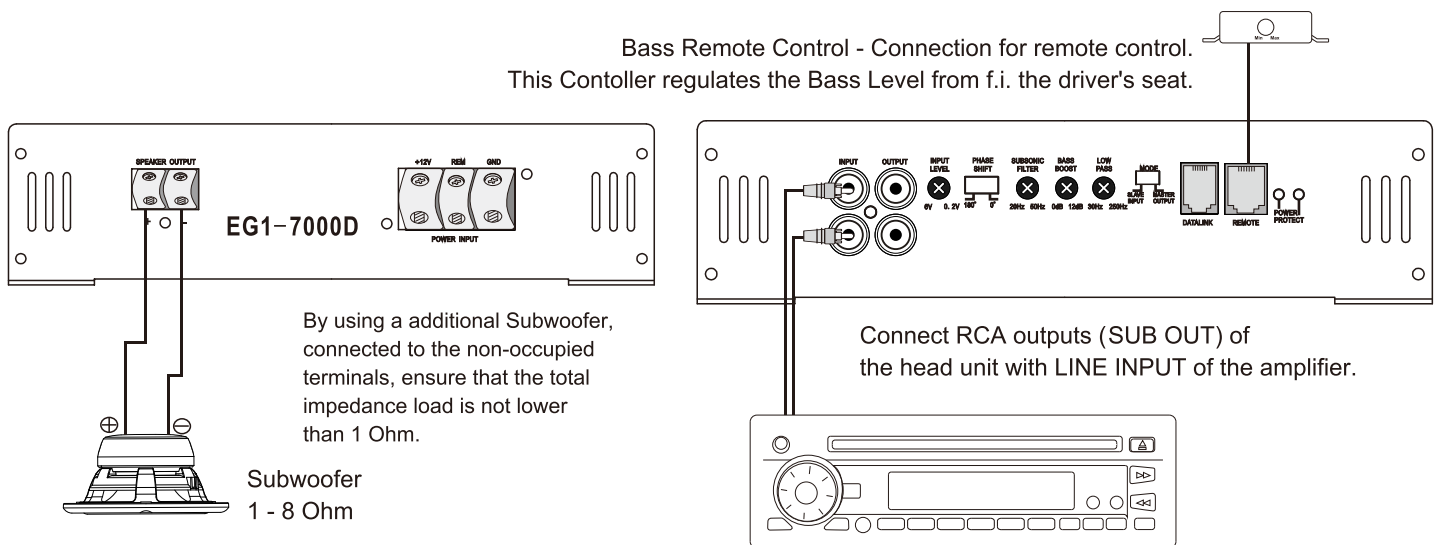
## EG1-7000D

### RCA & Speaker wiring:

- Connect the LINE INPUT of the amplifier to the head unit line output with appropriate good quality RCA cables. As optional feature the Balanced Inputs can be used. But therefor an signal transmitter with specific wires is required. Ask your specialist dealer for the required equipment.
- Connect the subwoofer with appropriate wires to the terminal block (SPEAKER OUTPUT + and -) of the amplifier. As optional feature a additional Subwoofer can be connected to the non-occupied terminals.
- The minimum final subwoofer impedance must not be lower than 1 Ohms in total. Too low speaker loads result in too high heat dissipation and may cause the amplifier run into protection.
- Please observe correct speaker channels and polarity as printed by the speaker terminal

### Caution!

**Do not connect speaker (-) to the ground or vehicle's chassis.**



### Low Pass

- This eliminates the higher frequencies. Set the crossover-frequency between 30Hz-250Hz, depending on the size of the installed subwoofer.

### Sub Sonic

- This eliminates the lowest frequencies and protects the speakers from damage. Set the frequency between 20Hz-50Hz, depending on the size of the installed subwoofer.

### Phase

- This Controller allows to adjust the Phase Shift 0° to 180°, to match the subwoofer to the vehicle's acoustic enviroment.

### Input Level

- Turn the LEVEL control of the amplifier to 6V position.
- Turn the head unit volume control to about 80 - 90% of its full setting.
- Turn the LEVEL control clockwise until you hear some distortion.
- Then turn back the LEVEL control slightly until you can hear a clean sound.

### Bass EQ

- This Controller regulates the Bass Boost from 0 - 12dB.

**Caution!** Please use the Bass-EQ carefully. The additional boost may result in clipping or overload.

### Bass Remote

- The provided Bass Remote regulates the Bass Level from f.i. the driver's seat.

# Speaker & RCA Connections

## EG1-7000D

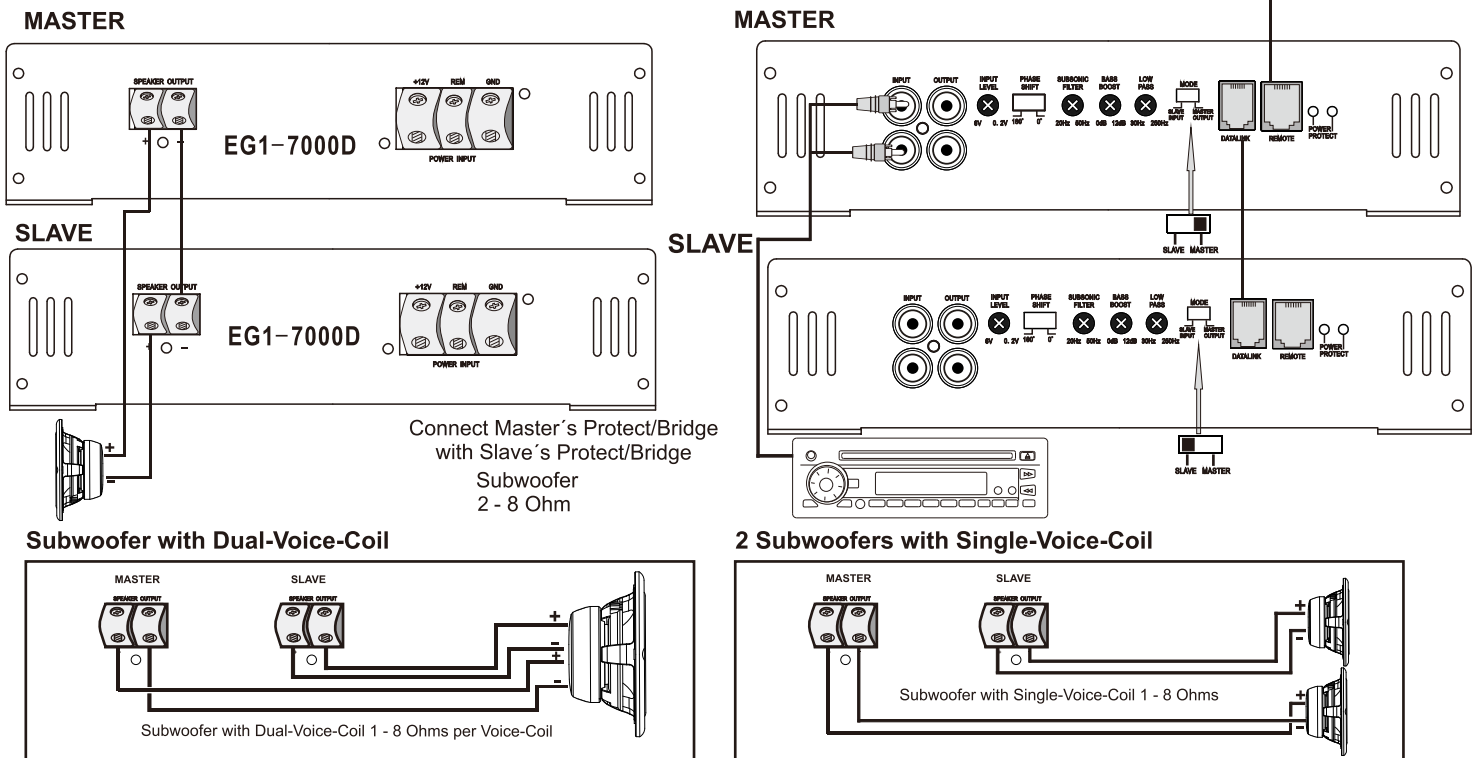
### MASTER/SLAVE-MODE / Subwoofer-Mode with two Amplifiers

- Connect the "LINE IN" (L & R) of the MASTER-amplifier to the head unit's line output with appropriate good quality RCA cables.
- Connect the "SLAVE OUT" RCA Output of the MASTER-Amp with the "LINE IN" RCA Input of the SLAVE-AMP.
- Connect the "REMOTE"-Terminal of the MASTER-Amp with the supplied BASS REMOTE.
- Connect the "REMOTE"-Wire of your head unit with the REM-Terminals of both Amplifiers.
- Connect the subwoofer with appropriate wires to the terminal block (SPEAKER OUTPUT+ and -) of both amplifiers. As optional feature an additional Subwoofer can be connected to the non-occupied terminals.
- Connect the Protect/Bridge Connection of the Master with the Protect/Bridge Connection of the Slave.  
This connection warrants if there is an operation fault both amps, Master and Slave, would go into protection mode so the amps are prevented for any possible damages.
- The minimum final subwoofer impedance must not be lower than 2 Ohms in total (1 Ohm for each Amplifier) or 2 Ohms bridged. Too low speaker loads result in too high heat dissipation and may cause the amplifier run into protection.
- Please observe correct speaker channels and polarity as printed by the speaker terminal.

#### Caution!

Do not connect speaker (-) to the ground or vehicle's chassis.

Bass Remote Control - connection for remote control.  
This controller regulates the bass level from e.g. the driver's seat.



Caution: Please observe the right polarity. Slave's - to Loudspeaker's + and Slave's + to Loudspeaker's -.

# Functions & Controls

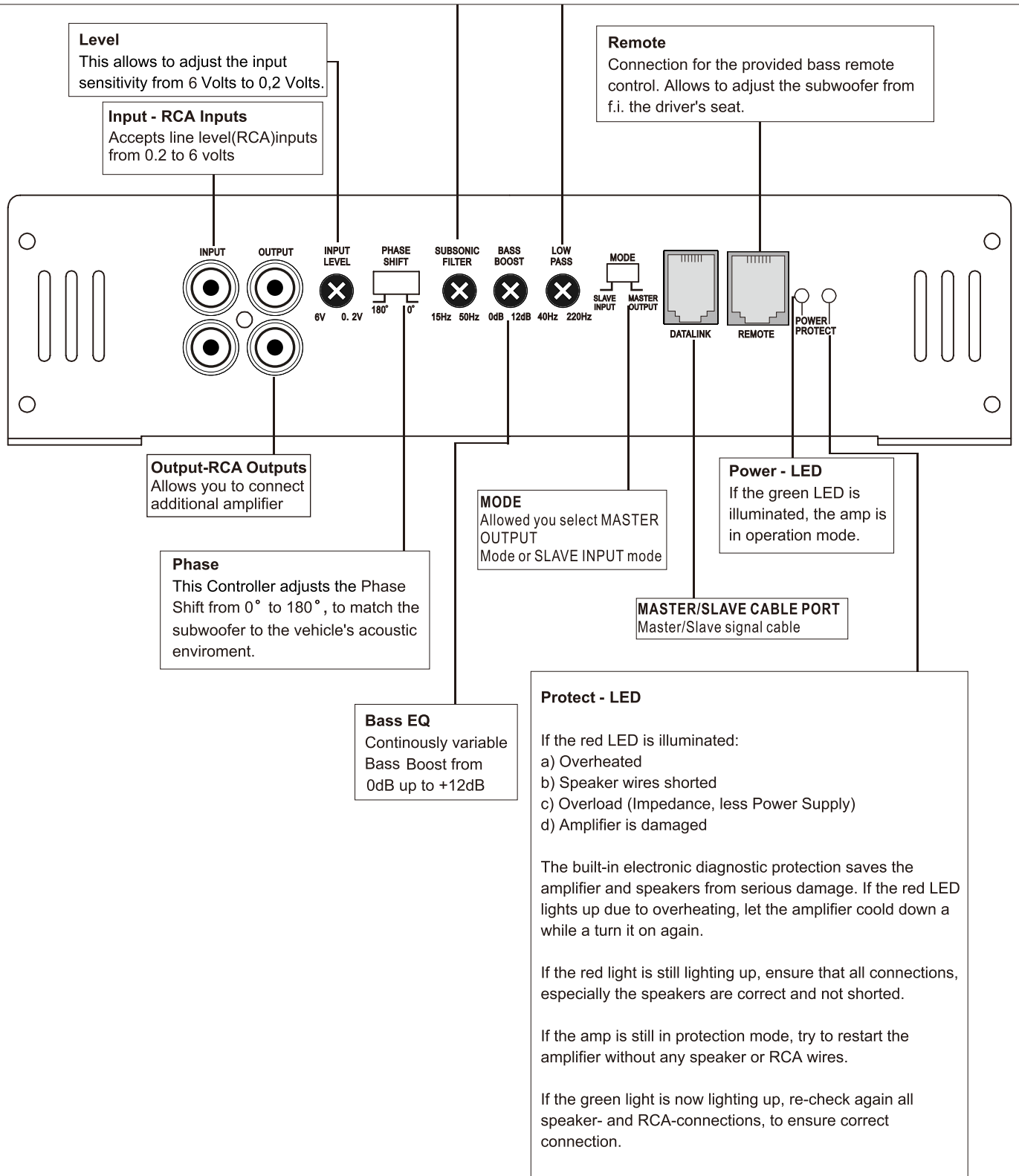
## EG1-1000D

### Low Pass

This Controller adjusts the frequency response of your subwoofer upwards and is continuously variable from 40Hz to 220Hz

### Sub Sonic

This Controller eliminates the lowest frequencies to protect the subwoofer from damages. These low frequencies can cause damages. The frequency is adjustable from 15Hz to 50Hz





# Speaker & RCA Connections

## EG1-10000D

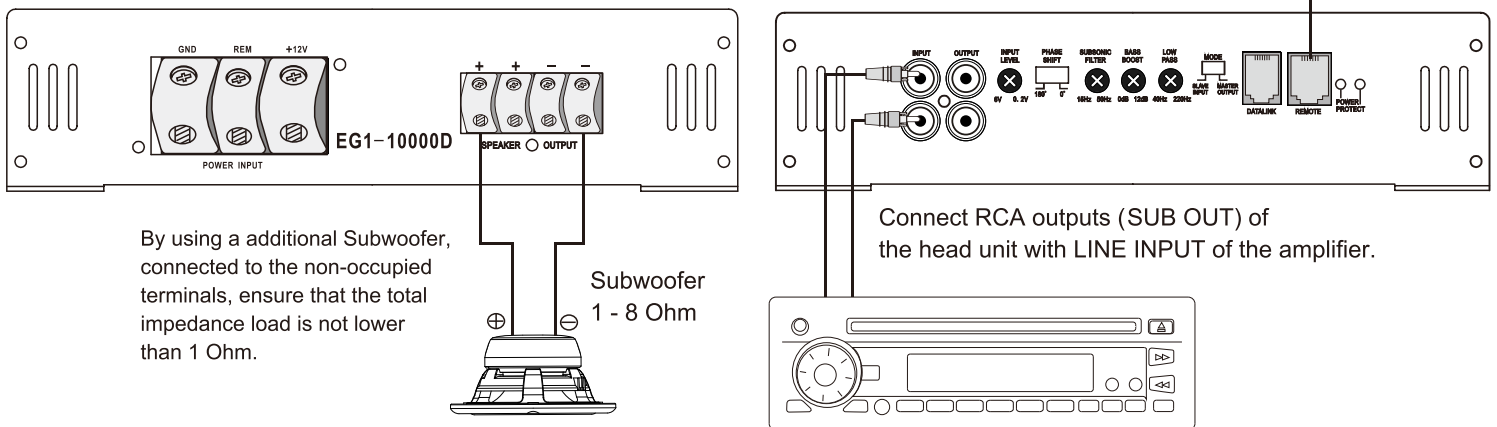
### RCA & Speaker wiring:

- Connect the LINE INPUT of the amplifier to the head unit line output with appropriate good quality RCA cables. As optional feature the Balanced Inputs can be used. But therefor an signal transmitter with specific wires is required. Ask your specialist dealer for the required equipment.
- Connect the subwoofer with appropriate wires to the terminal block (SPEAKER OUTPUT + and -) of the amplifier. As optional feature a additional Subwoofer can be connected to the non-occupied terminals.
- The minimum final subwoofer impedance must not be lower than 1 Ohms in total. Too low speaker loads result in too high heat dissipation and may cause the amplifier run into protection.
- Please observe correct speaker channels and polarity as printed by the speaker terminal

### Caution!

**Do not connect speaker (-) to the ground or vehicle's chassis.**

Bass Remote Control - Connection for remote control.  
This Contoller regulates the Bass Level from f.i. the driver's seat.



### Low Pass

- This eliminates the higher frequencies. Set the crossover-frequency between 40Hz-220Hz, depending on the size of the installed subwoofer.

### Sub Sonic

- This eliminates the lowest frequencies and protects the speakers from damage. Set the frequency between 15Hz-50Hz, depending on the size of the installed subwoofer.

### Phase

- This Controller allows to adjust the Phase Shift 0° to 180°, to match the subwoofer to the vehicle's acoustic enviroment.

### Input Level

- Turn the LEVEL control of the amplifier to 6V position.
- Turn the head unit volume control to about 80 - 90% of its full setting.
- Turn the LEVEL control clockwise until you hear some distortion.
- Then turn back the LEVEL control slightly until you can hear a clean sound.

### Bass EQ

- This Controller regulates the Bass Boost from 0 - 12dB.

**Caution!** Please use the Bass-EQ carefully. The additional boost may result in clipping or overload.

### Bass Remote

- The provided Bass Remote regulates the Bass Level from f.i. the driver's seat.



# Functions & Controls

## EG5-2800

### HP PASS (HighPass) CH1/2

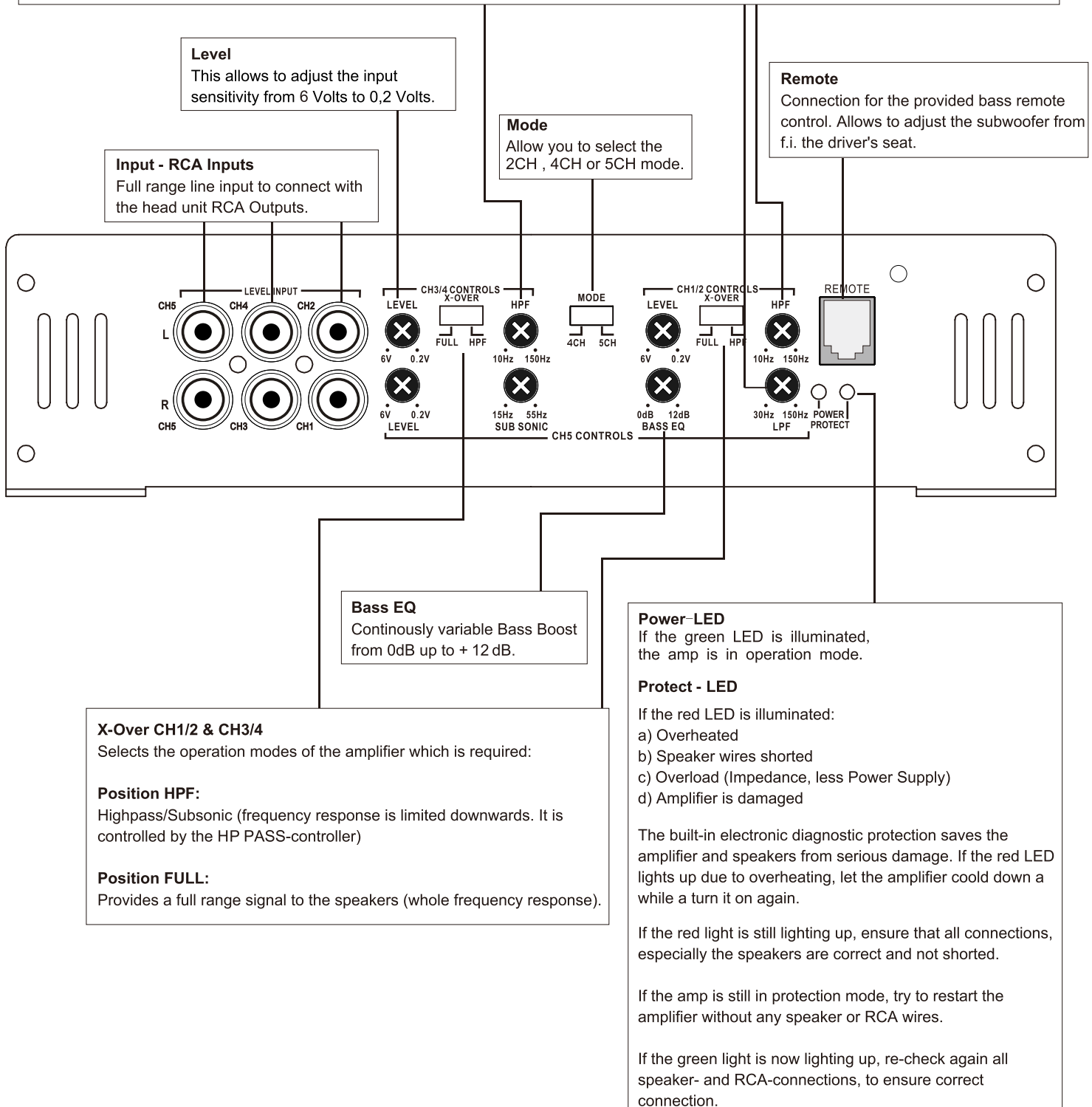
Controls the frequency response of your speakers downwards. The Cut-off frequency is continuously variable from 10Hz up to 150Hz

### HP PASS (HighPass) CH3/4

Controls the frequency response of your speakers downwards. The Cut-off frequency is continuously variable from 10Hz up to 150Hz

### LOW PASS CH5

Controls the frequency response of your speakers upwards. The Cut-off frequency is continuously variable from 30Hz up to 150Hz



# Speaker & RCA Connections

## EG5-2800

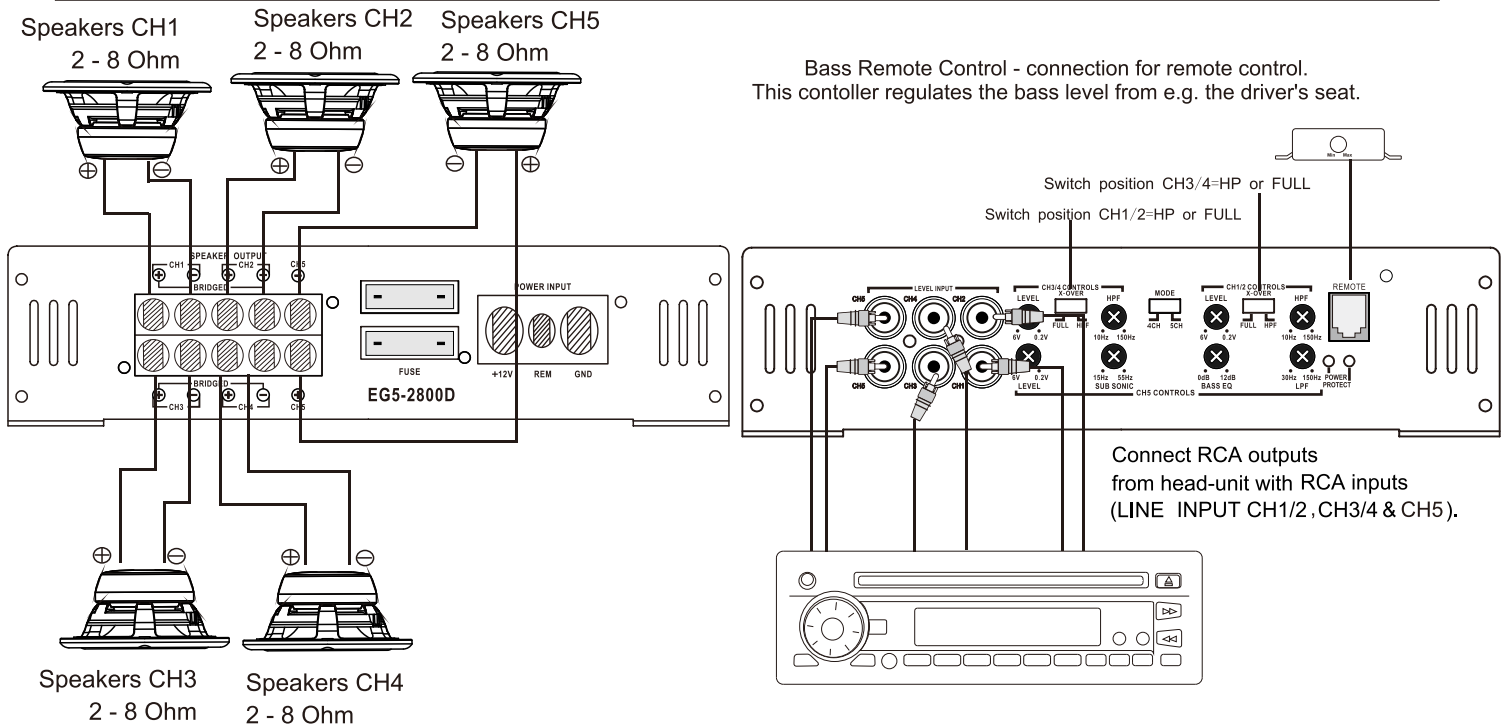
### INTERCONNECTION EXAMPLE 5-Channel Mode: 2x Stereo System (Front or rear)+1xSubwoofer

#### RCA & Speaker wiring:

- Connect the RCA lineouts of the headunit with the RCA jacks LINE INPUT of the amplifier with appropriate high-value RCA cables.
- Connect the front or rear speakers with the speaker outputs (CH1 +/- and CH2 +/- - SPEAKER), (CH3 +/- and CH4 +/- - SPEAKER) and (CH5 +/- - SPEAKER) by using appropriate wires.
- Ensure by any means, that the total impedance load of all speakers is not lower than 2 ohms. Too low impedance cause high temperature and will shut down the amplifier operation.
- Always ensure the correct polarity of the speakers. The interchange of plus and minus cause total loss of bass playback and could damage the speakers.

#### Caution!

Do not connect speaker (-) to the ground or vehicle's chassis.



- By using bigger speakers (more than 20cm) you can set the X-OVER switch to the FULL position (Full Range Signal).
- By using smaller speakers (8.7cm - 16cm) you must set the X-OVER switch to the HPF Position (Highpass Mode) to avoid any damage by lower frequencies on the speakers. The cut-off frequency is adjustable with the HIGH PASS controller and should be set between 10Hz to 150Hz(CH1/2) and 10Hz to 150Hz(CH3/4), depending on the size of the speakers.
- The LOW PASS Controller is not in use in this interconnecting example.

#### LEVEL CONTROLLER

- Turn the LEVEL controller of the amplifier to the 6V position.
- Turn the volume controller of the headunit to 80 - 90% of its full setting.
- Turn the LEVEL controller clockwise until you hear some distortion.
- Then turn back the LEVEL controller slightly until you hear a cleaner sound.

#### BASS BOOST CONTROLLER

- The BASS BOOST controller must be turned to 0 dB position in this interconnecting example .

# Speaker & RCA Connections

## EG5-2800

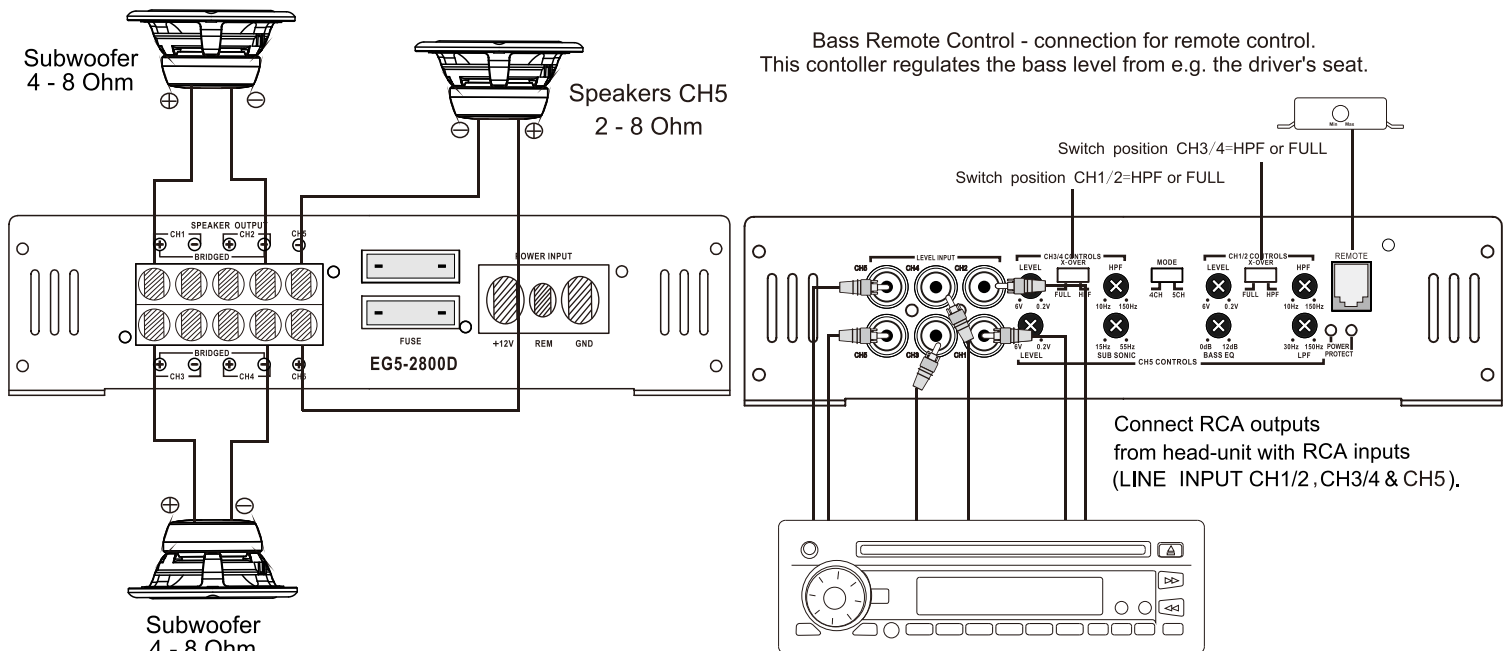
### INTERCONNECTION EXAMPLE 3-Channel Mode: 1 x Stereo System(bridged)+1xSubwoofer

#### RCA & Speaker wiring:

- Connect the RCA lineouts of the headunit with the RCA jacks LINE INPUT of the amplifier with appropriate high-value RCA cables.
- Connect the front or rear speakers with the speaker outputs (CH1 +/- and CH2 +/- -SPEAKER) and (CH3 +/- and CH4 +/- -SPEAKER) by using appropriate wires.
- Ensure by any means, that the total impedance load of all speakers is not lower than 2 ohms. Too low impedance cause high temperature and will shut down the amplifier operation.
- Always ensure the correct polarity of the speakers. The interchange of plus and minus cause total loss of bass playback and could damage the speakers.

#### Caution!

Do not connect speaker (-) to the ground or vehicle's chassis.



- By using bigger speakers (more than 20cm) you can set the X-OVER switch to the FULL position (Full Range Signal).
- By using smaller speakers (8.7cm - 16cm) you must set the X-OVER switch to the HPF Position (Highpass Mode) to avoid any damage by lower frequencies on the speakers. The cut-off frequency is adjustable with the HIGH PASS controller and should be set between 10Hz to 150Hz(CH1/2) and 10Hz to 150Hz(CH3/4) depending on the size of the speakers.
- The LOW PASS Controller is not in use in this interconnecting example.

#### LEVEL CONTROLLER

- Turn the LEVEL controller of the amplifier to the 6V position.
- Turn the volume controller of the headunit to 80 - 90% of its full setting.
- Turn the LEVEL controller clockwise until you hear some distortion.
- Then turn back the LEVEL controller slightly until you hear a cleaner sound.

#### BASS BOOST CONTROLLER

- The BASS BOOST controller must be turned to 0 dB position in this interconnecting example .

# Troubleshooting

---

## System does not turn on

1. Check all fuses.
2. Check all connections.
3. Measure the +12 volt and remote turn on voltages at the amplifier terminals. If these are non-existent or low, take voltage measurements at fuse holders, distribution blocks, the head unit's +12 volt and remote leads to localize the problem.

## Noise problems

1. Check the speaker wiring
2. Speakers are damaged

## No Signal at all Channels

1. Set Balance and Fader from head unit on Zero-Position
2. Check wiring (Amplifier, Speakers)
3. Speakers are damaged
4. Subsonic Filter is adjusted too high or Lowpass Filter is adjusted too low

## Hiss or white noise

1. Speakers are overload
2. High levels of white noise usually occurs when amplifier level controls are turned up too high - readjust according to the procedures in section "Setting up systems after installation for best performance"
3. Another problem that can cause excessive hiss, is a noisy head unit - unplug the amplifier input RCA cables, and if the hiss level reduces, the source unit is at fault.

## No Stereo-Sound or Low Output

1. Check speaker wiring (- and +)

## Amplifier Protection-Mode (red LED is illuminated)

1. Speaker cables are shorted
2. Inadequate cooling - relocate or remount to provide better natural airflow over the fins.  
Driving high power levels into low impedances - back off on the volume control, and/or make sure you are not loading the amplifier with less than the recommended loudspeaker impedance.
3. Make sure that the battery voltage, as measured at the amplifier's +12 volt and ground terminals, is 11 volts or more.

## Electrical interference

The inside of an automobile is a very hostile electrical environment. The multitude of electrical systems, such as the ignition system, alternator, fuel pumps, air conditioners to mention just a few, create radiated electrical fields, as well as noise on the +12 volt supply and ground. Remember to isolate the problem - first unplug amplifier input RCA cables, if the noise is still present, check the speaker leads, if not, plug the RCA's back, and investigate the source driving the amplifier, one component at a time.

## A ticking or whine that changes with engine RPM:

1. This problem could be caused by radiation pickup of RCA cables too near to a fuel pump or a distributor, for instance, - relocate cables.
2. Check that the head unit ground is connected straight to the vehicle chassis, and does not use factory wiring for ground.
3. Try to supply the head unit with a clean +12 volt supply directly from the battery +, instead of using a supply from the in dash wiring/fusebox.  
This type of noise can be more difficult to pinpoint, but is usually caused by some kind of instability, causing oscillations in the system.

## A constant whine:

1. Check all connections, especially for good grounds.
2. Make sure that no speaker leads are shorting to exposed metal on the vehicle chassis.
3. RCA cables are notorious for their problematic nature, so check that these are good, in particular the shield connections.

### Caution!

In this amplifier are integrated protection circuits. Short Circuit Protection engaged: The amplifier will turn off and try to come back on immediately. The amplifier will cycle like this indefinitely, with "blips" of sound each time. If this is the case, check your speakers and wiring for low impedance and short circuits. Thermal Protection engaged: The amplifier will turn off and several minutes later will come back on. In this case, ensure that there is nothing blocking the normal convective airflow of the amplifier. No obstruction should be within 2" of the amplifier on all sides. NOTE: Low battery voltage will cause the amplifier to run warmer and possibly damage the amplifier. If the red LED still lighting up after all re-checking, the amplifier is damaged. Please send then a detailed malfunction description and a copy of the invoice of purchase together with the device to your car audio retailer.

# Specifications

	EG2-1400	EG4-1000	EG4-1500	EG1-2500D	EG1-4500D	EG1-70000D	EG1-10000D	EG5-2800D
Channels	2	4	4	1	1	1	1	5
Watts RMS into 4 Ohm	2 x 175W	4 x 65W	4 x 95W	1 x 400W	1 x 750W	1 x 1100W	1 x 1600W	4 x 80W+1 x 380W
Watts RMS into 2 Ohm	2 x 350W	4 x 125W	4 x 185W	1 x 800W	1 x 1500W	1 x 2300W	1 x 3300W	4 x 160W+1 x 760W
Watts RMS into 1 Ohms	—	—	—	1 x 1250W	1 x 2250W	1 x 3500W	1 x 5000W	—
Watts RMS into 5 Ohms	—	—	—	—	—	—	—	—
Watts RMS into 4 Ohm mono bridged	1 x 700W	2 x 250W	2 x 370W	—	—	—	—	2 x 320W
Frequency Response	15Hz - 20KHz	15Hz - 25KHz	15Hz - 25KHz	15Hz - 250Hz	15Hz - 250Hz	15Hz - 250Hz	15Hz - 250Hz	1CH-4CH 10Hz - 50KHz 5CH 15Hz - 150Hz
Signal-to-Noise Ratio	> 105 dB	> 105 dB	> 105 dB	> 105 dB	> 105 dB	> 105 dB	> 105 dB	> 105 dB
THD&N	< 0.05 %	< 0.05 %	< 0.05 %	< 0.05 %	< 0.05 %	< 0.05 %	< 0.05 %	< 0.05 %
Input Sensitivity	0,2 - 6 Volt	0,2 - 6 Volt	0,2 - 6 Volt	0,2 - 8 Volt	0,2 - 8 Volt	0,2 - 6 Volt	0,2 - 6 Volt	0,2 - 6 Volt
Input Impedance	> 47 kOhm	> 47 kOhm	> 47 kOhm	> 47 kOhm	> 47 kOhm	> 47 kOhm	> 47 kOhm	> 47 kOhm
XOver.CH1 & CH2	—	—	—	—	—	—	—	—
Variable High Pass	50Hz - 400Hz	50Hz - 400Hz	50Hz - 400Hz	—	—	—	—	10Hz - 150Hz
Variable Low Pass	50Hz - 400Hz	—	—	30Hz - 250Hz	30Hz - 250Hz	30Hz - 250Hz	40Hz - 220Hz	—
Bass-Boost @ 45Hz	0 - 6- 12dB	—	—	0 - 18dB	0 - 18dB	0 - 12dB	0 - 12 dB	—
Variable Subsonic Filter	—	—	—	20Hz - 50Hz	20Hz - 50Hz	20Hz - 50Hz	15Hz - 50Hz	—
XOver.CH3 & CH4	—	—	—	—	—	—	—	—
Variable High Pass	—	50Hz - 400Hz	50Hz - 400Hz	—	—	—	—	10Hz - 150Hz
Variable Low Pass	—	50Hz - 400Hz	50Hz - 400Hz	—	—	—	—	—
Bass-Boost @ 45Hz	—	0 - 6- 12dB	0 - 6- 12dB	—	—	—	—	—
XOver.CH5	—	—	—	—	—	—	—	—
Variable High Pass	—	—	—	—	—	—	—	—
Variable Low Pass	—	—	—	—	—	—	—	30Hz - 150Hz
Bass-Boost @ 45Hz	—	—	—	—	—	—	—	0 - 12dB
Fuses	3 x 30 A	2 x 35 A	1 x 100A	2 x 60A	2 x 100A	(External fuse)	(External fuse)	2 x 100 A
Dimensions	9" w x 2.25" h x 12.75" l	9" w x 2.25" h x 10.25" l	9" w x 2.25" h x 12.75" l	9" w x 2.25" h x 10" l	9" w x 2.25" h x 13" l	9" w x 2.25" h x 17.5" l	9" w x 2.25" h x 19.75" l	9" w x 2.25" h x 19.75" l

All specifications are subject to change